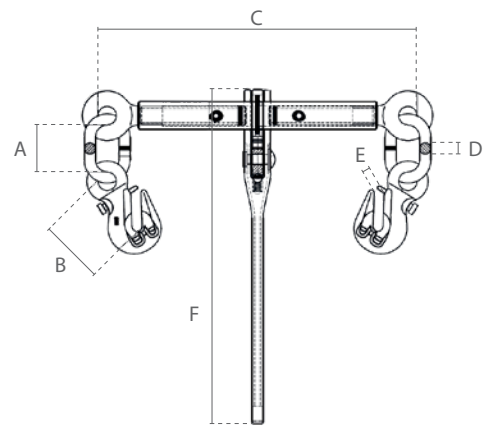
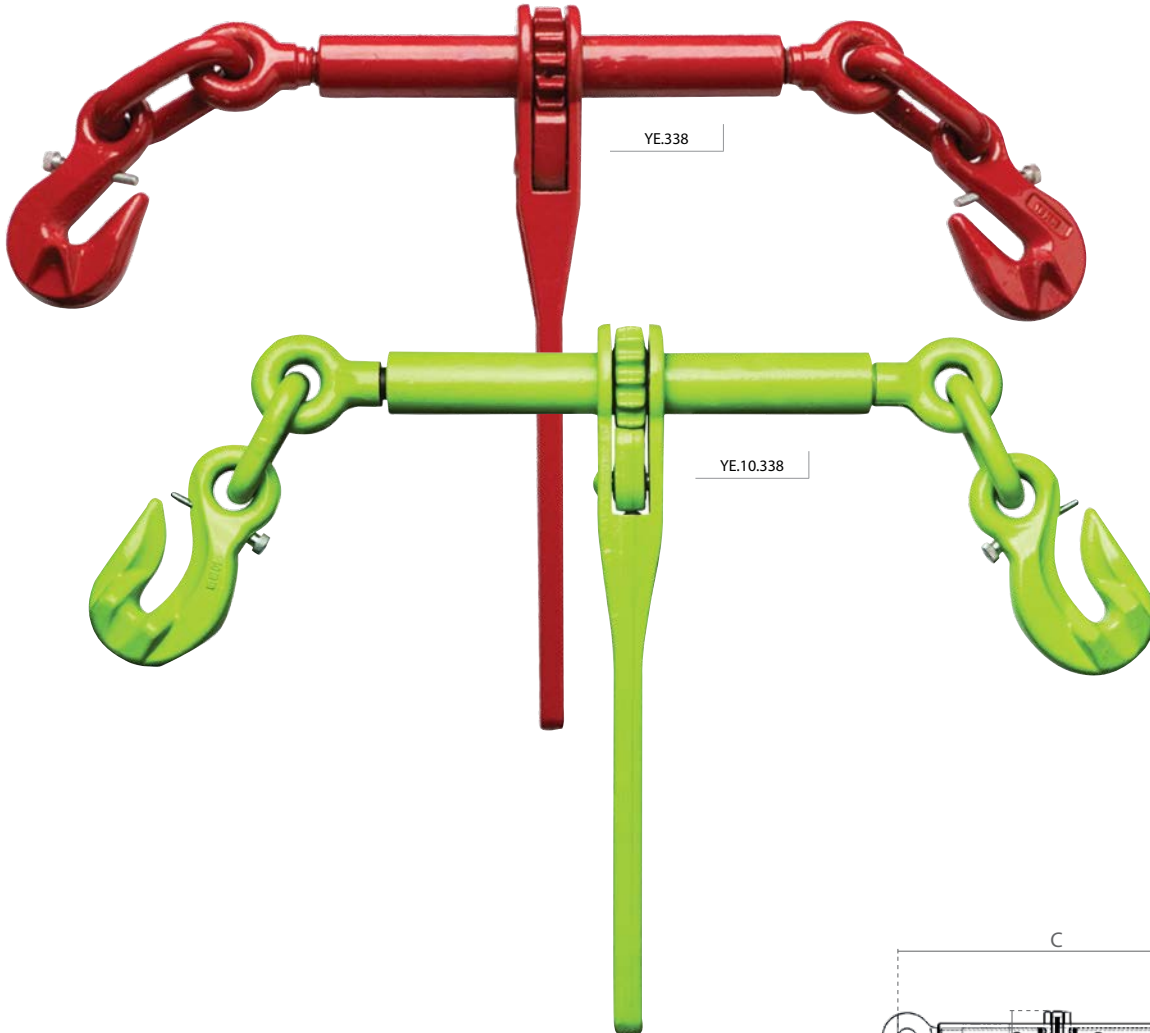




Ratel Ladingspanners / Ratchet Load Binders



Eigenschappen

- » Volgens EN 12195-3.
- » Met uitdraiblokkering.
- » Geleverd met testcertificaat en CE-conformiteitsverklaring.

Features

- » According to EN 12195-3.
- » With unscrewing protection.
- » Supplied with test certificate and CE declaration of conformity.

Specificaties / Specifications G80					Afmetingen / Dimensions (mm)					
Artikel nummer	Ketting / Chain	LC	STF	Gewicht / Weight	A	B	C	D	E	F
Article code	mm	kN	kN	kg						
YE.338.08	8	40	10	4.8	47	71	340-500	12	9	383
YE.338.10	10	63	15.75	5.5	47	79	375-530	14	12	383
YE.338.13	13	106	15.9	8	71	106	365-520	20	16	385
YE.338.16	16	160	24	14	78	130	395-570	24	18	385

Specificaties / Specifications G100					Afmetingen / Dimensions (mm)					
Artikel nummer	Ketting / Chain	LC	STF	Gewicht / Weight	A	B	C	D	E	F
Article code	mm	kN	kN	kg						
YE.10.338.08	8	50	10	3.7	48	75	340-500	12	10	383
YE.10.338.10	10	80	15.75	5.9	49	91	365-520	14	13	383
YE.10.338.13	13	134	15.9	9.4	71	120	365-520	20	15	385