



Grade 100 Toebehoren / Grade 100 Accessories

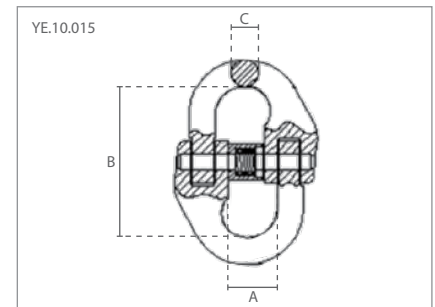
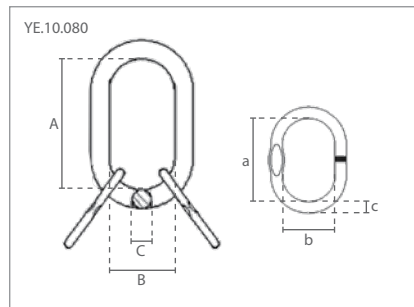
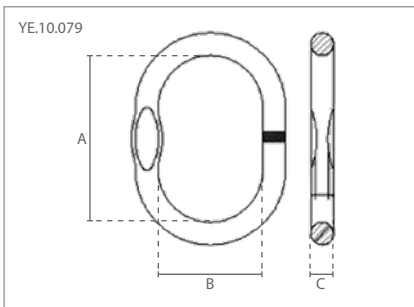
1. Topschalen /
Master links



2. Topschalen met verloopingen /
Master link assemblies



3. Verbindingschalen /
Connecting links



1 Specificaties / Specifications			Afmetingen / Dimensions (mm)		
Artikel nummer	Capaciteit / Capacity	Gewicht / Weight	A	B	C
Article code	ton	kg			
YE.10.079.08.06	2.50	0.4	120	70	14
YE.10.079.10.08	4.00	0.8	140	80	17
YE.10.079.13.10	7.50	1.5	160	95	22
YE.10.079.16.13	12.50	2.5	190	110	28
YE.10.079.20.16	17.00	5.2	240	140	34
YE.10.079.22.20	25.00	7.7	250	150	42
YE.10.079.26.22	30.80	12.9	340	180	45
YE.10.079.32.26	40.00	16.3	350	190	50
YE.10.079.36	60.00	27.0	400	200	60

2 Specificaties / Specifications			Afmetingen / Dimensions (mm)					
Artikel nummer	Capaciteit / Capacity	Gewicht / Weight	A	B	C	a	b	c
Article code	ton	kg						
YE.10.080.06	3.00	1.3	135	75	19	84	25	13
YE.10.080.08	5.30	2.4	160	90	23	70	35	17
YE.10.080.10	8.00	3.7	180	100	27	85	40	19
YE.10.080.13	14.00	6.5	200	110	33	115	50	23
YE.10.080.16	21.20	10.1	260	140	36	140	65	27
YE.10.080.20	33.60	22.8	350	190	50	150	70	33
YE.10.080.22	39.90	26.0	350	190	50	180	100	36

3 Specificaties / Specifications			Afmetingen / Dimensions (mm)		
Artikel nummer	Capaciteit / Capacity	Gewicht / Weight	A	B	C
Article code	ton	kg			
YE.10.015.06	1.40	0.1	14	45	8
YE.10.015.08	2.50	0.2	19	62	10
YE.10.015.10	4.00	0.4	23	72	13
YE.10.015.13	6.70	0.7	28	89	17
YE.10.015.16	10.00	1.2	34	103	21
YE.10.015.20	16.00	2.2	42	116	25
YE.10.015.22	19.00	3.0	48	135	27
YE.10.015.26	26.50	5.2	61	164	32
YE.10.015.32	39.30	9.5	80	194	40