



Grade 80 Toebehoren volgens EN 1677 / Grade 80 Accessories according to EN 1677

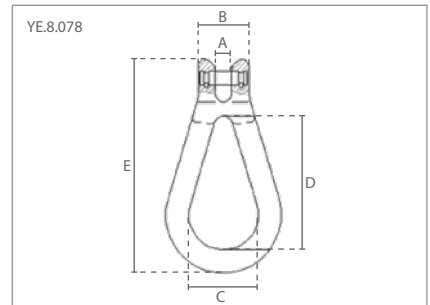
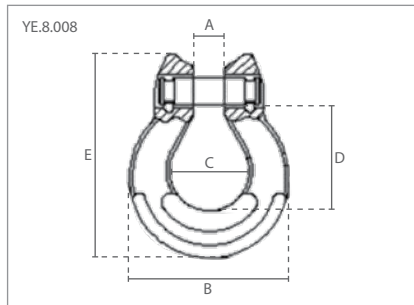
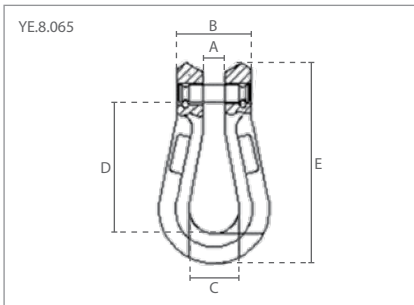
30. Peerschalmen /  
Long shape omega  
connecting links



31. Omega schalmen /  
Omega connecting links



32. Peerschalmen met gaffel /  
Clevis connecting links



30 Specificaties / Specifications			Afmetingen / Dimensions (mm)				
Artikel nummer	Capaciteit / Capacity	Gewicht / Weight	A	B	C	D	E
Article code	ton	kg					
YE.8.065.06	1.12	0.2	8	28	20	48	75
YE.8.065.08	2.00	0.2	10	33	25	59	92
YE.8.065.10	3.15	0.5	13	46	30	79	123
YE.8.065.13	5.30	1.0	15	58	46	94	154

31 Specificaties / Specifications			Afmetingen / Dimensions (mm)				
Artikel nummer	Capaciteit / Capacity	Gewicht / Weight	A	B	C	D	E
Article code	ton	kg					
YE.8.008.06	1.12	0.2	8	41	21	25	52
YE.8.008.08	2.00	0.2	10	52	24	35	69
YE.8.008.10	3.15	0.4	12	62	32	41	81
YE.8.008.13	5.30	0.7	15	81	41	54	108
YE.8.008.16	8.00	1.3	19	99	50	64	126

32 Specificaties / Specifications			Afmetingen / Dimensions (mm)				
Artikel nummer	Capaciteit / Capacity	Gewicht / Weight	A	B	C	D	E
Article code	ton	kg					
YE.8.078.08	2.00	0.6	10	33	45	87	139
YE.8.078.10	3.15	0.8	12	42	60	108	174
YE.8.078.13	5.30	1.8	17	56	67	138	228
YE.8.078.16	8.00	2.8	19	68	72	165	264