



Grade 80 Toebehoren volgens EN 1677 / Grade 80 Accessories according to EN 1677

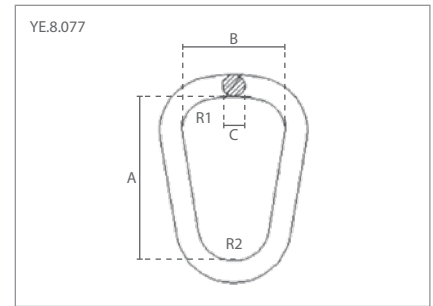
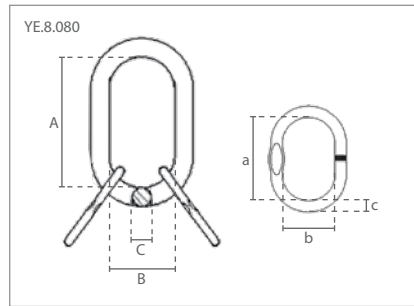
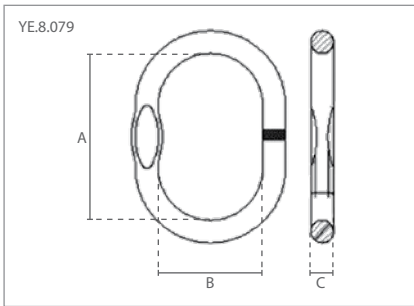
1. Topschalen /
Master links



2. Topschalen met verloopingen /
Master link assemblies



3. Kraanschalen /
Crane links



1 Specificaties / Specifications			Afmetingen / Dimensions (mm)		
Artikel nummer Article code	Capaciteit / Capacity ton	Gewicht / Weight kg	A	B	C
YE.8.079.07-06	1.60	0.4	110	60	13
YE.8.079.08-07	2.12	0.6	110	60	16
YE.8.079.10-08	3.15	0.8	135	75	18
YE.8.079.13-10	5.30	1.5	160	90	22
YE.8.079.16-13	8.00	2.3	180	100	26
YE.8.079.18-16	11.20	4.0	200	110	32
YE.8.079.20-18	14.00	6.4	260	140	36
YE.8.079.22-20	17.00	9.0	300	160	40
YE.8.079.26-22	21.20	12.8	340	180	45
YE.8.079.32-26	31.50	16.6	350	190	50
YE.8.079.36-32	45.00	23.3	400	200	56
YE.8.079.40-36	56.00	32.0	430	220	63
YE.8.079.72	63.00	45.8	460	250	72

2 Specificaties / Specifications			Afmetingen / Dimensions (mm)					
Artikel nummer Article code	Capaciteit / Capacity ton	Gewicht / Weight kg	A	B	C	a	b	c
YE.8.080.07	3.15	1.3	135	75	18	60	38	13
YE.8.080.08	4.25	2.2	160	90	22	70	34	16
YE.8.080.10	6.70	3.4	180	100	26	85	40	18
YE.8.080.13	11.20	6.1	200	110	32	115	50	22
YE.8.080.16	17.00	10.0	260	140	36	140	65	26
YE.8.080.20	26.50	22.6	350	190	50	180	100	32
YE.8.080.22	31.50	25.2	350	190	50	180	100	36
YE.8.080.26	45.00	34.6	400	200	56	180	100	40
YE.8.080.32	63.00	66.5	460	250	72	200	110	50

3 Specificaties / Specifications			Afmetingen / Dimensions (mm)				
Artikel nummer Article code	Capaciteit / Capacity ton	Gewicht / Weight kg	A	B	C	R1	R2
YE.8.077.22.04	4.00	2.2	240	150	22	45	50
YE.8.077.25.05	5.00	2.8	280	175	25	52	60
YE.8.077.32.08	8.00	5.4	320	215	32	70	70
YE.8.077.32.09	9.00	7.8	280	175	32	52	60
YE.8.077.38.15	15.00	6.2	280	175	38	52	60
YE.8.077.45.20	20.00	12.7	320	215	45	70	70