



Kettingen / Chains

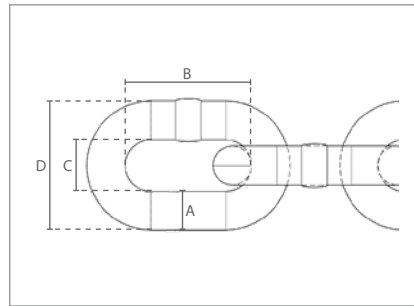
1. Kortschalm lastkettingen /  
Short link load chains  
Grade 80, EN 818-2



2. Kortschalm lastkettingen /  
Short link load chains  
Grade 100



3. Gecalibreerde lastkettingen voor  
electrische takels /  
Calibrated load chains for electric  
hoists Grade DAT, EN 818-7



1 Specifications / Specifications				Afmetingen / Dimensions (mm)			
Artikel nummer	Capaciteit / Capacity	Breaking force	Gewicht / Weight	A	B	C	D
Article code	ton	kN	kg/m				
CEM.06X18	1.12	45.20	0.9	6	18	8	22
CEM.07X21	1.50	61.60	1.1	7	21	9	26
CEM.08X24	2.00	80.40	1.4	8	24	10	30
CEM.10X30	3.15	126.00	2.2	10	30	13	37
CEM.13X39	5.30	212.00	3.7	13	39	17	48
CEM.16X48	8.00	322.00	5.6	16	48	21	59
CEM.20X60	12.50	503.00	8.8	20	60	26	74
CEM.22X66	15.00	608.00	10.8	22	66	29	81
CEM.26X78	21.20	849.00	15.2	26	78	34	96
CEM.32X96	31.50	1290.00	23.0	32	96	42	118

2 Specifications / Specifications				Afmetingen / Dimensions (mm)			
Artikel nummer	Capaciteit / Capacity	Breaking force	Gewicht / Weight	A	B	C	D
Article code	ton	kN	kg/m				
CEM.01.06X18	1.40	56.00	0.9	6	18	8	22
CEM.01.08X24	2.50	100.00	1.5	8	24	10	30
CEM.01.10X30	4.00	160.00	2.2	10	30	13	37
CEM.01.13X39	6.70	268.00	3.7	13	39	17	48
CEM.01.16X48	10.00	400.00	5.7	16	48	21	59
CEM.01.20X60	16.00	640.00	8.9	20	60	26	74
CEM.01.22X66	19.00	760.00	10.9	22	66	29	81
CEM.01.26X78	26.50	1060.00	15.4	26	78	34	96
CEM.01.32X96	39.30	1572.00	23.2	32	96	42	118

3 Specifications / Specifications				Afmetingen / Dimensions (mm)			
Artikel nummer	Capaciteit / Capacity	Breaking force	Gewicht / Weight	A	B	C	D
Article code	ton	kN	kg/m				
DFK.4X12	0.50	20.00	0.4	4	12	6	13
DFK.5X15	0.75	30.00	0.6	5	15	7	14
DFK.5.6X17	1.00	40.00	0.7	5.6	17	8	15
LI.6.3X19.1	1.35	54.00	0.9	6.3	19.1	9	21
DFK.7.1X20.2	1.60	64.00	1.1	7.1	20.2	9	22
DFK.7.1X21.0	1.60	64.00	1.1	7.1	21	9	22
DFK.10X30.2	3.20	128.00	2.2	10	30.2	12	32
DFK.11.2X34	4.00	160.00	2.7	11.2	34	15	37