

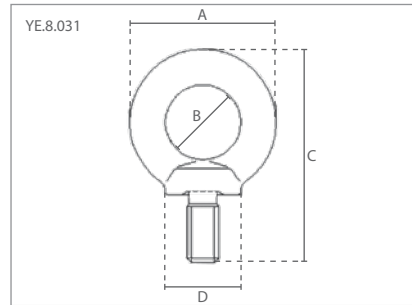
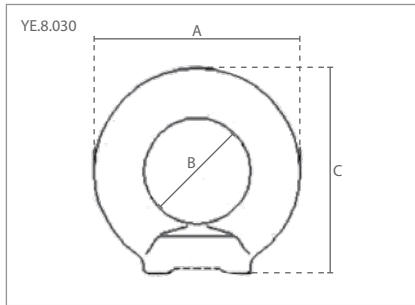


Grade 80 Toebehoren volgens EN 1677 / Grade 80 Accessories according to EN 1677

36. Oogmoeren /
Eye nuts



37. Oogbouten /
Eye bolts



36 Specificaties / Specifications				Afmetingen / Dimensions (mm)			
Artikel nummer	Capaciteit / Capacity	Capaciteit / Capacity	Gewicht / Weight	M	A	B	C
Article code	(0°) ton	(90°) ton	kg				
YE.8.030.06	0.40	0.15	0.05	M6	36	20	36
YE.8.030.08	0.80	0.40	0.05	M8	36	20	36
YE.8.030.10	1.00	0.40	0.09	M10	45	25	45
YE.8.030.12	2.00	0.75	0.16	M12	54	30	53
YE.8.030.14	3.00	1.00	0.24	M14	63	35	62
YE.8.030.16	4.00	1.50	0.24	M16	63	35	62
YE.8.030.18	5.00	2.00	0.34	M18	72	40	71
YE.8.030.20	6.00	2.30	0.36	M20	72	40	71
YE.8.030.22	7.00	2.80	0.6	M22	81	45	81
YE.8.030.24	8.00	3.20	0.7	M24	90	50	90
YE.8.030.30	12.00	4.50	1.3	M30	108	60	109
YE.8.030.36	16.00	7.00	2.1	M36	126	70	128
YE.8.030.42	24.00	9.00	3.1	M42	144	80	147
YE.8.030.48	32.00	12.00	5.0	M48	166	90	168

37 Specificaties / Specifications				Afmetingen / Dimensions (mm)				
Artikel nummer	Capaciteit / Capacity	Capaciteit / Capacity	Gewicht / Weight	M	A	B	C	D
Article code	(0°) ton	(90°) ton	kg					
YE.8.031.06	0.40	0.15	0.05	M6x13	28	16	42	17
YE.8.031.08	0.80	0.40	0.06	M8x15	36	20	51	20
YE.8.031.10	1.00	0.40	0.11	M10x18	45	25	63	25
YE.8.031.12	2.00	0.75	0.18	M12x22	54	30	75	30
YE.8.031.14	3.00	1.00	0.28	M14x28	63	35	88	35
YE.8.031.16	4.00	1.50	0.28	M16x28	63	35	88	35
YE.8.031.18	5.00	2.00	0.42	M18x30	72	40	101	40
YE.8.031.20	6.00	2.30	0.45	M20x30	72	40	101	40
YE.8.031.22	7.00	2.80	0.7	M22x35	81	45	116	45
YE.8.031.24	8.00	3.20	0.9	M24x38	90	50	128	50
YE.8.031.27	10.00	4.00	0.9	M27x38	91	50	128	50
YE.8.031.30	12.00	4.50	1.7	M30x45	108	60	154	60
YE.8.031.33	12.00	4.50	1.7	M33x45	108	60	154	60
YE.8.031.36	16.00	7.00	2.7	M36x55	126	70	183	70
YE.8.031.39	16.00	7.00	2.7	M39x55	126	70	183	70
YE.8.031.42	24.00	9.00	4.0	M42x65	144	80	212	85
YE.8.031.45	32.00	12.00	6.4	M45x70	166	90	238	100
YE.8.031.48	32.00	12.00	6.4	M48x70	166	90	238	100
YE.8.031.56	36.00	13.50	8.8	M56x80	184	100	267	110
YE.8.031.64	45.00	17.00	12.4	M64x90	206	110	293	120