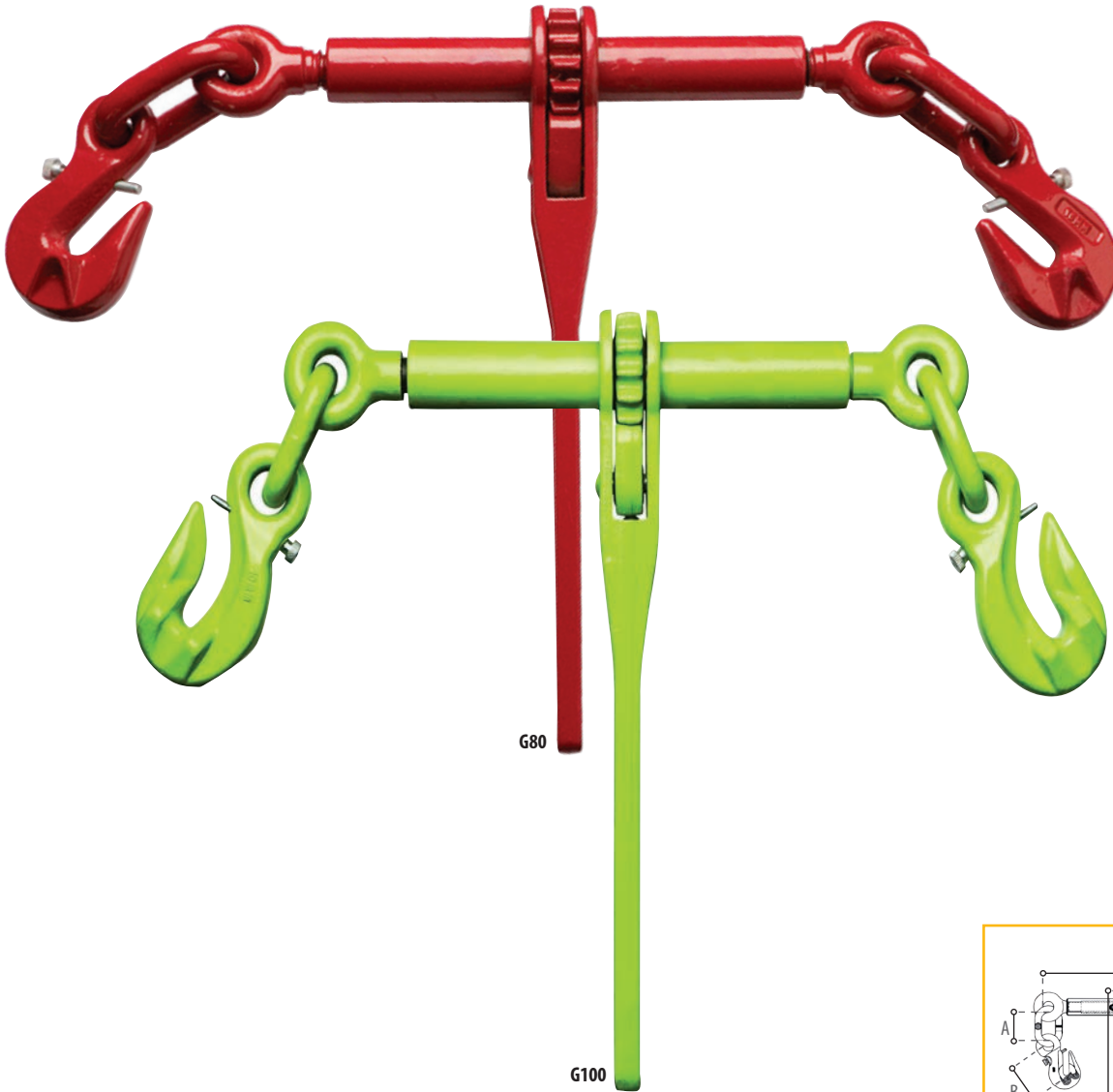


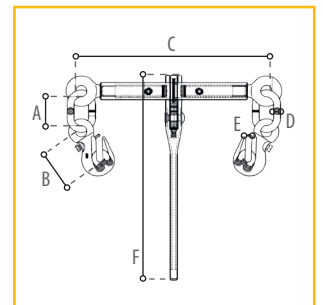


Ratel ladingspanners Grade 80 & 100 / Ratchet load binders Grade 80 & 100



G80

G100



Eigenschappen

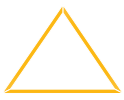
» Volgens EN 12195-3.

Features

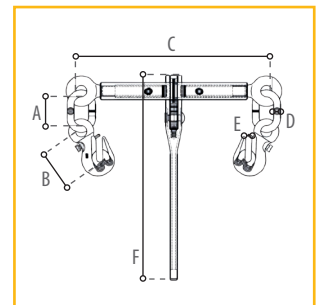
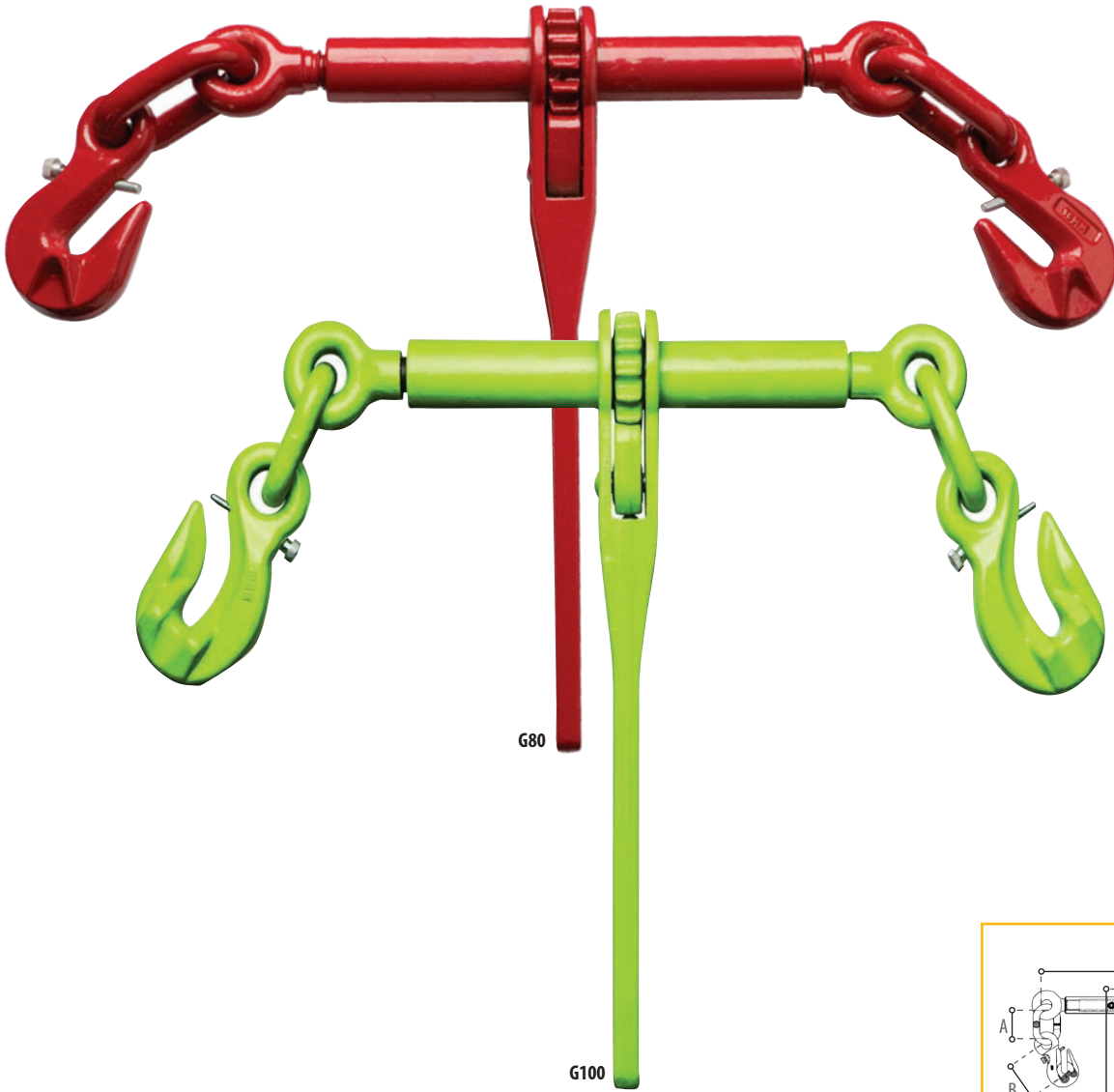
» According to EN 12195-3.

Afmetingen / Dimensions (mm) Ratel ladingspanners G80 / Ratchet load binders G80										
Model	Chain size (mm)	LC (kN)	STF (kN)	A	B	C	D	E	F	Weight (kg)
YE.338.08	8	40	10	47	71	340-500	12	9	383	4.8
YE.338.10	10	63	15.75	47	79	375-530	14	12	383	5.5
YE.338.13	13	106	15.9	71	106	365-520	20	16	353	8
YE.338.16	16	160	24	78	130	395-570	24	18	385	14

Afmetingen / Dimensions (mm) Ratel ladingspanners G100 / Ratchet load binders G100										
Model	Chain size (mm)	LC (kN)	STF (kN)	A	B	C	D	E	F	Weight (kg)
YE.10.338.08	8	50	10	48	75	340-500	12	10.5	383	3.7
YE.10.338.10	10	80	15.75	49	91	365-520	14	13	383	5.9
YE.10.338.13	13	134	15.9	71	120	365-520	20	15.5	385	9.4



Tendeurs d'arrimage à levier Grade 80 & 100 / Ratschenlastenspanner Grade 80 & 100



Caractéristiques

» Selon EN 12195-3.

Eigenschaften

» Nach EN 12195-3.

Dimensions / Abmessungen (mm) Tendeurs d'arrimage à levier G80 / Ratschenlastenspanner G80										
Model	Chain size (mm)	LC (kN)	STF (kN)	A	B	C	D	E	F	Weight (kg)
YE.338.08	8	40	10	47	71	340-500	12	9	383	4.8
YE.338.10	10	63	15.75	47	79	375-530	14	12	383	5.5
YE.338.13	13	106	15.9	71	106	365-520	20	16	353	8
YE.338.16	16	160	24	78	130	395-570	24	18	385	14

Dimensions / Abmessungen (mm) Tendeurs d'arrimage à levier G100 / Ratschenlastenspanner G100										
Model	Chain size (mm)	LC (kN)	STF (kN)	A	B	C	D	E	F	Weight (kg)
YE.10.338.08	8	50	10	48	75	340-500	12	10.5	383	3.7
YE.10.338.10	10	80	15.75	49	91	365-520	14	13	383	5.9
YE.10.338.13	13	134	15.9	71	120	365-520	20	15.5	385	9.4